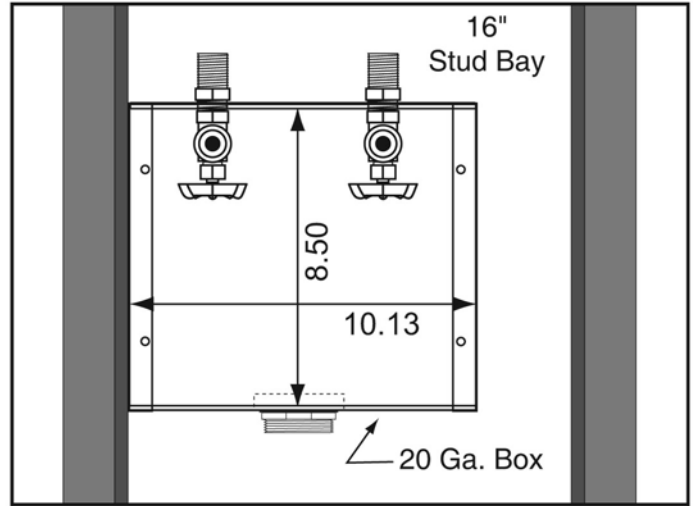
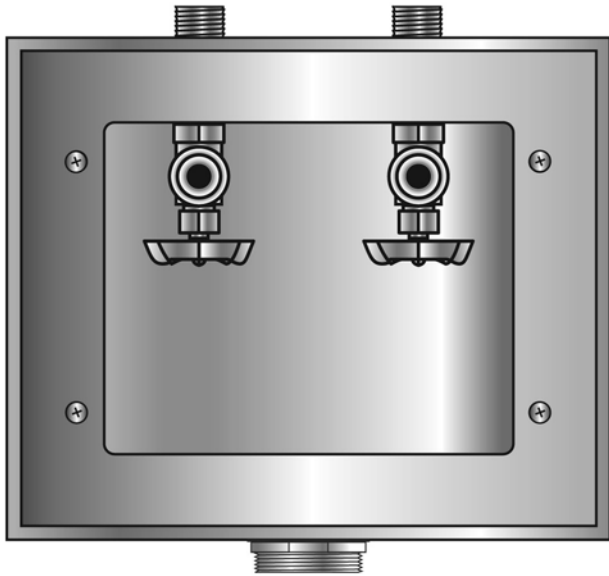


SPECIFICATION SUBMITTAL SHEET

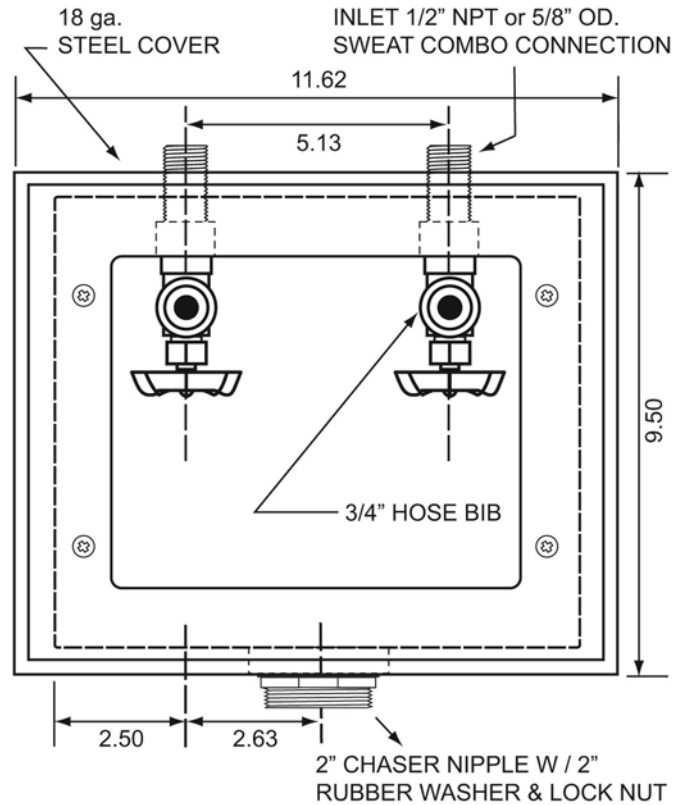


**B200 Galvanized Center Drain - Top Mount**



**SPECIFICATIONS**

Furnish and install recessed Guy Gray washing machine outlet box. Washing Machine outlet box shall be furnished with 1/2" MIP/Sweat connection valves and a 2" threaded drain fitting and locknut. Unit shall be Guy Gray product code 82036 as manufactured by IPS Corporation in Collierville, TN.



PROD. CODE	MODEL#	DESCRIPTION
82036	B200TS	Top Mount Galvanized Center Drain w/ 1/2" MIP/Swt Conx. Valve- 1 1/2" Thread Drain



www.ipscorp.com    watertite@ipscorp.com  
 202 Industrial Park Ln, P.O. Box 220 Collierville, TN 38027, USA ▪ TEL: 901-853-5001 ▪ WATS: 800-888-8312 ▪ FAX: 901-853-5008  
 455 West Victoria, Compton, CA 90220, USA ▪ TEL: 310-898-3300 ▪ WATS: 800-421-2677 ▪ FAX: 310-898-3390