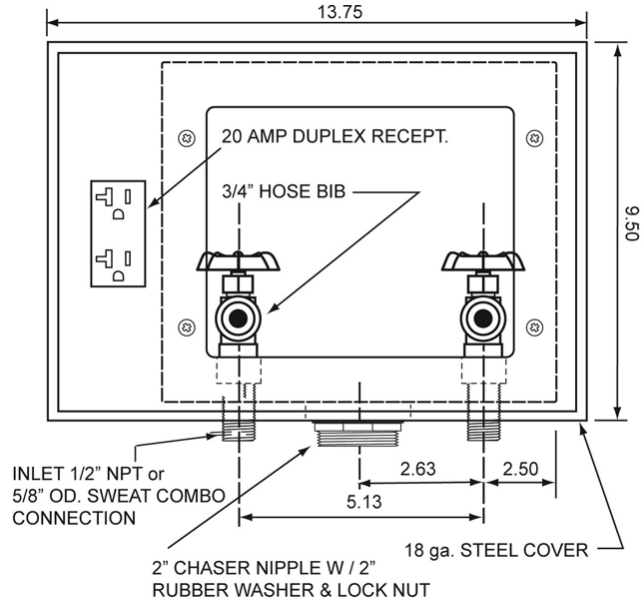
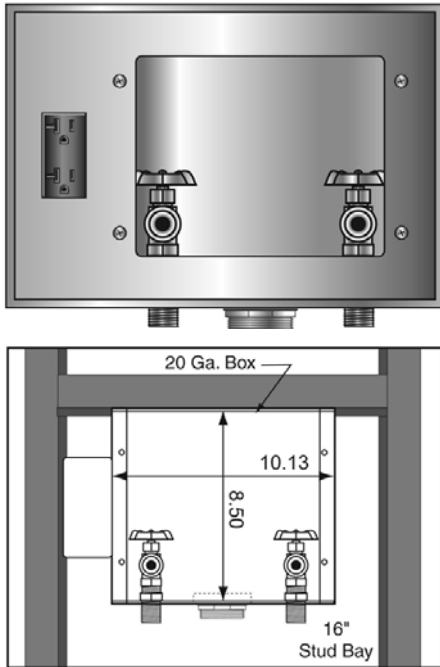




## Center Drain Washing Machine Box w/Duplex Receptacle



**Specification:**

Furnish and install recessed galvanized metal washing machine outlet box with duplex receptacle. Unit shall be Guy Gray product number checked below as manufactured by IPS Corporation in Collierville, TN.

**Valve & Drain Options:**

Domestic 1/2" MIP/Sweat Connection Valve kit furnished loose  
 Kit includes valves, locknuts and o-rings  
 2" Male Threaded Drain and locknut kit included

**Duplex Receptacle:**

UL Listed Receptacle  
 3 Wire 110 Volt

**Box Material:**

20 gauge Box and 20 gauge faceplate  
 G90 Hot Dipped Galvanized Steel (unpainted)

Item #	Description	Model #	Case Qty
82033	1/2" MIP/Sweat Conx. Valve - 2" Threaded Drain Fitting	BE200	6
82037	Top Mount 1/2" MIP/Sweat Conx. Valves - 2" Threaded Drain Fitting	BBE200TS	6