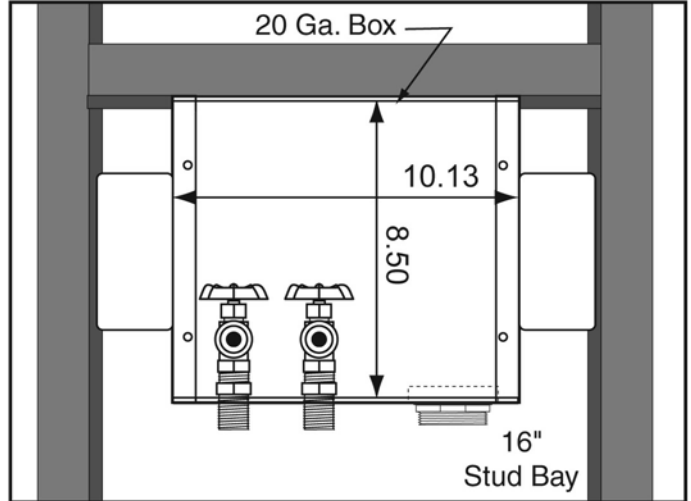
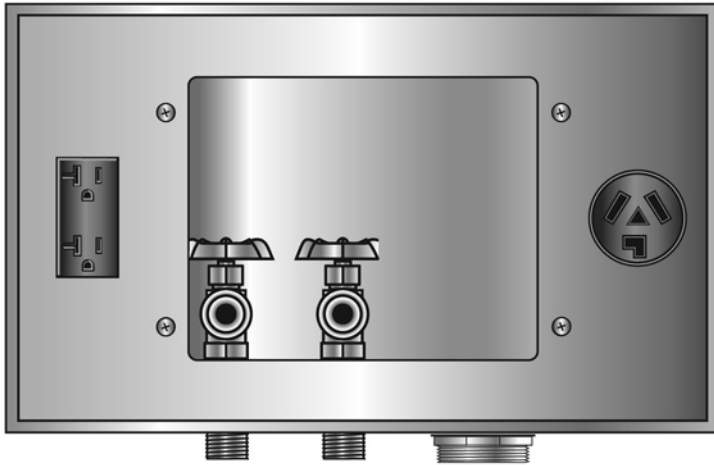


SPECIFICATION SUBMITTAL SHEET

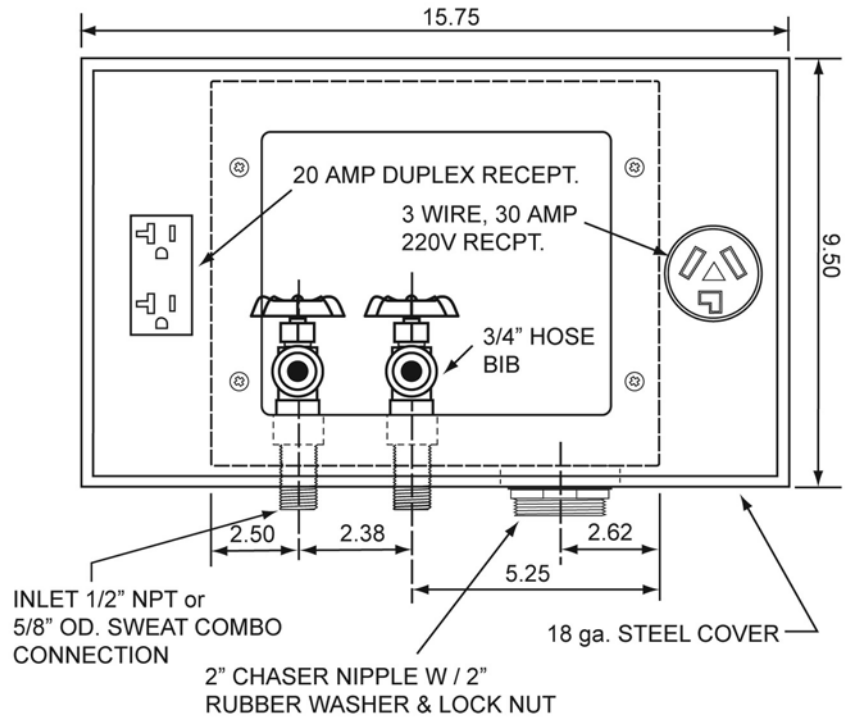


FBED200 Galvanized Right Drain



SPECIFICATIONS

Furnish and install recessed Guy Gray washing machine outlet box with 110v and 220v electrical outlet. Washing Machine outlet box shall be furnished with 1/2" MIP/Sweat Valves and 2" threaded drain fitting and locknut. Unit shall be product code 82041 as manufactured by IPS Corporation in Collierville, TN.



PROD. CODE
82041

MODEL#	DESCRIPTION
FBED200	Galvanized Right Drain Outlet Box with 1/2" MIP/Sweat Vlv-2" Drain Kit-3 Wire Outlet



Think Outside the Box with the IPS Family of Professional Brands



www.ipscorp.com watertite@ipscorp.com

202 Industrial Park Ln, P.O. Box 220 Collierville, TN 38027, USA ▪ TEL: 901-853-5001 ▪ WATS: 800-888-8312 ▪ FAX: 901-853-5008
 455 West Victoria, Compton, CA 90220, USA ▪ TEL: 310-898-3300 ▪ WATS: 800-421-2677 ▪ FAX: 310-898-3390