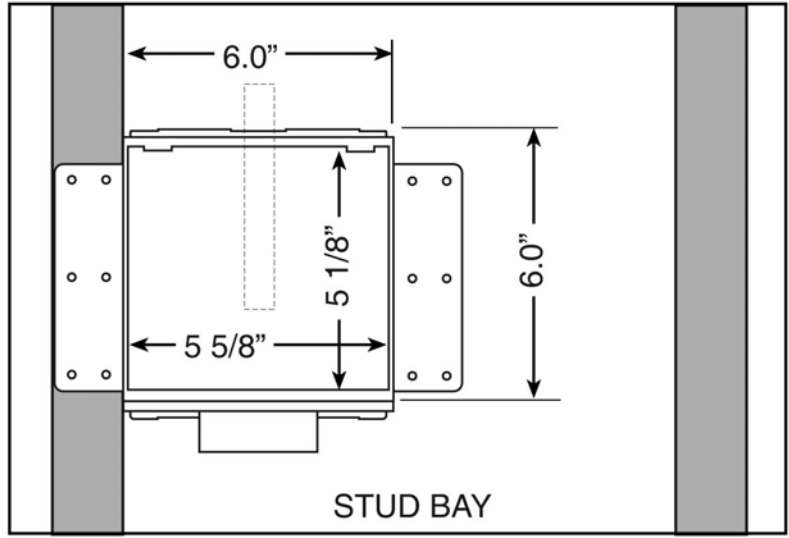
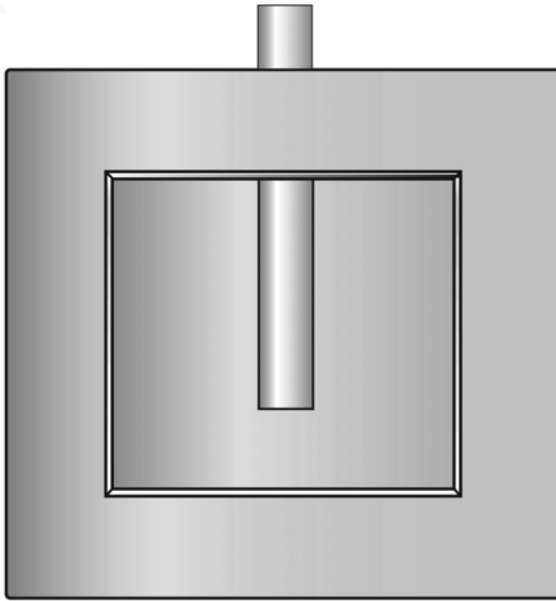


SPECIFICATION SUBMITTAL SHEET

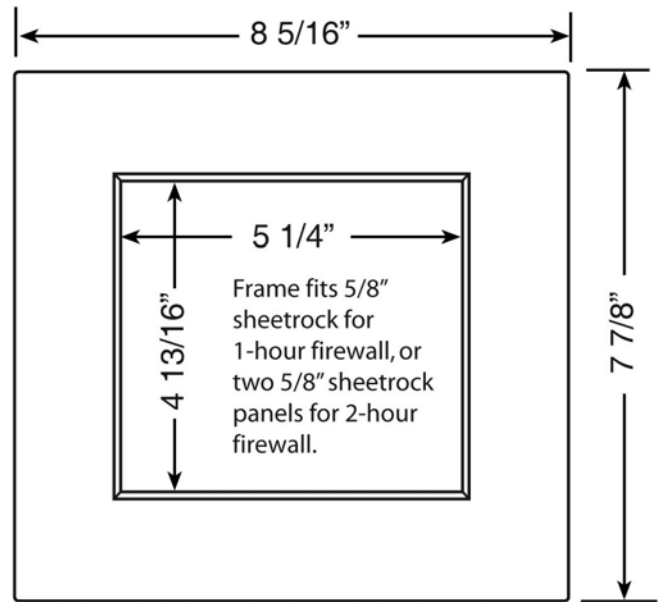


FR-12 Auxiliary Drain Outlet Box



SPECIFICATIONS

Furnish and install recessed auxiliary drain outlet box. Unit shall be Guy Gray product code checked below with the appropriate valve connection as manufactured by IPS Corporation in Collierville, TN.



PROD. CODE	MODEL#	DESCRIPTION
82458	FRAD12	Fire Rated Auxiliary Drain Outlet Box



www.ipscorp.com ipscorp@aol.com

202 Industrial Park Ln, P.O. Box 220 Collierville, TN 38027, USA ■ TEL: 901-853-5001 ■ WATS: 800-888-8312 ■ FAX: 901-853-5008
 455 West Victoria, Compton, CA 90220, USA ■ TEL: 310-898-3300 ■ WATS: 800-421-2677 ■ FAX: 310-898-3390