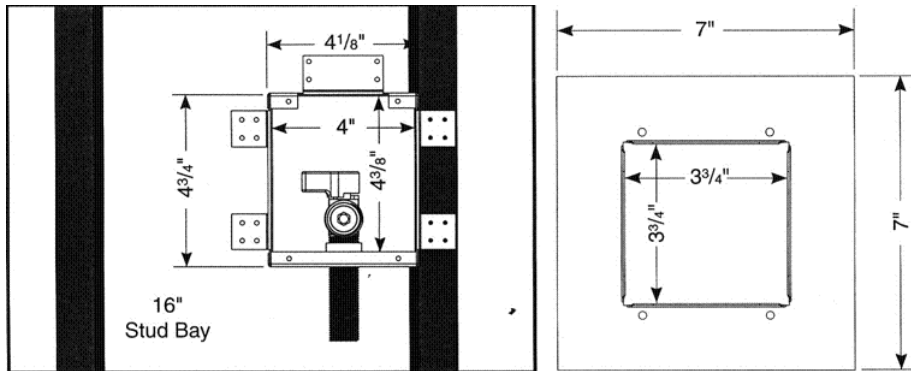




Metal Ice Maker Boxes (MIB Series)



Specification:

Furnish and install recessed metal powder coated ice maker box with chrome plated quarter turn or boiler drain domestic valve installed.

Material:

18 Gauge Faceplate and Box
White Powder Coat on Cold Rolled Steel Finish

Listings and Approvals:



Product Description	Item #	Model #	Units Case	Lbs./Case
1/4 Turn Valve Installed - 1/2" Sweat Conx.*	88048	MIB1	5	10
1/4 Turn Valve Installed - 1/2" Sweat Conx. - Cont. Pack*	88044	MIB4	10	21
Domestic Valve Installed - 1/2" Sweat Conx.	88067	MIB1D	5	10
1/4 Turn Valve Installed - 1/2" CPVC Conx.	88050	MIB2	5	10
1/4 Turn Valve Installed - 1/2" PEX Conx.	88053	MIB3	5	11
1/4 Turn Valve w/ 3/8" PEX connection	88131	MIB38	5	11
1/4 Turn Valve w/ 1/2" Wirsbo® connection	88040	MIB5	5	11
1/4 Turn Valve w/ 1/2" Sweat connection / Arrester	88051	MIB1HA	5	13
1/4 Turn Valve w/ 1/2" CPVC connection / Arrester	88049	MIB2HA	5	13