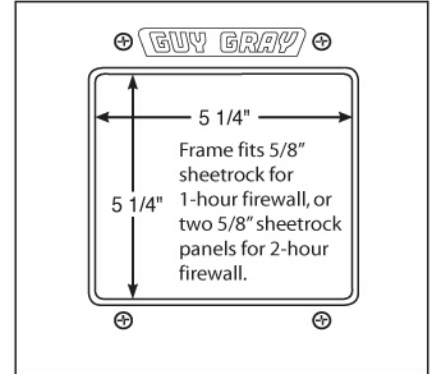
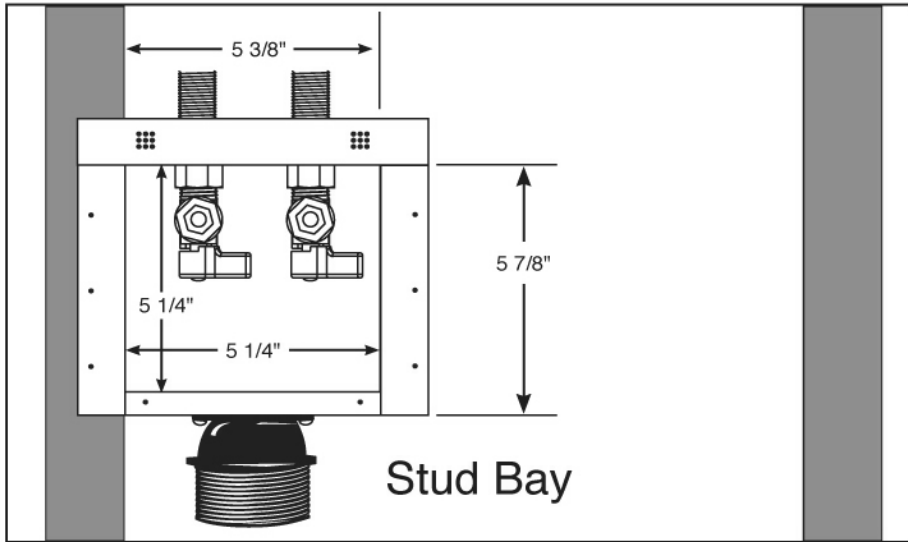


SPECIFICATION SUBMITTAL SHEET



Metal Fire Rated Washing Machine Outlet Boxes



SPECIFICATIONS

Furnish and install recessed fire rated white powder coated metal washing machine outlet box. Washing Machine outlet box shall be top mounted and have 1/4 turn ball valves, single lever valve or domestic valve with or without hammer arrester listed to ASSE 1010. Outlet box shall be mounted through nail holes of attached mounting ears. Unit shall be Guy Gray product code checked with the appropriate valve connection as manufactured by IPS Corporation in Collierville, TN.

PROD.CODE	DESCRIPTION	MODEL#
See Reverse Side	Complete Product Listing on back of spec sheet	



www.ipscorp.com watertite@ipscorp.com

500 Distribution Parkway, Collierville, TN 38017, USA ■ TEL: 901-853-5001 ■ WATS: 800-888-8312 ■ FAX: 901-853-5008



Metal FR-12 Fire Rated Washing Machine Outlet Boxes

Description	Product #	Model #	UPC	Units
WMOB w/Quarter Turn Valve Models				
Guy Gray Fire Rated WMOB w/ 1/2" Sweat Qtr. turn Valve	82567	FRM12S	012181825679	5
Guy Gray Fire Rated WMOB w/ 1/2" CPVC Qtr. turn Valve	82569	FRM12C	012181825693	5
Guy Gray Fire Rated WMOB w/ 1/2" Pex Qtr. turn Valve	82571	FRM12P	012181825716	5
Guy Gray Fire Rated WMOB w/ 1/2" Wirsbo Qtr. turn Valve	82573	FRM12W	012181825730	5
WMOB w/Single Lever Valve Models				
Guy Gray Fire Rated WMOB w/ 1/2" Sweat Single Lever Valve	82575	FRM12SS	012181825754	5
Guy Gray Fire Rated WMOB w/ 1/2" CPVC Single Lever Valve	82577	FRM12CS	012181825778	5
Guy Gray Fire Rated WMOB w/ 1/2" Pex Single Lever Valve	82579	FRM12PS	012181825792	5
Guy Gray Fire Rated WMOB w/ 1/2" Wirsbo Single Lever Valve	82581	FRM12WS	012181825815	5
WMOB w/Quarter Turn Valve with Hammer Arrester Models				
Guy Gray Fire Rated WMOB w/ 1/2" Sweat/ Qtr/ Arrester	82583	FRM12SHA	012181825839	5
Guy Gray Fire Rated WMOB w/ 1/2" CPVC/ Qtr Turn/ Arrester	82585	FRM12CHA	012181825853	5
Guy Gray Fire Rated WMOB w/ 1/2" Pex/ Qtr Turn/ Arrester	82587	FRM12PHA	012181825877	5
Guy Gray Fire Rated WMOB w/ 1/2" Wirsbo/ Qtr Turn/ Arrester	82589	FRM12WHA	012181825891	5
WMOB w/Single Lever Valve with Hammer Arrester Models				
Guy Gray Fire Rated WMOB w/ 1/2" Sweat/Single Lever/Arrester	82591	FRM12SSHA	012181825914	5
Guy Gray Fire Rated WMOB w/ 1/2" Pex/Single Lever/Arrester	82593	FRM12PSHA	012181825931	5
WMOB w/Domestic Valve Models				
Guy Gray Fire Rated WMOB w/ 1/2" Domestic Sweat Valve	82595	FRM12DS	012181825952	5
Guy Gray Fire Rated WMOB w/ 1/2" Domestic Sweat Valve/ Cont. Pk	82596	FRM12DSCP	012181825969	5
Guy Gray Fire Rated WMOB w/ 1/2" Domestic CPVC Valve	82597	FRM12DC	012181825976	5
Guy Gray Fire Rated WMOB w/ 1/2" Domestic CPVC Valve/ Cont. Pk	82598	FRM12DCCP	012181825983	5
Guy Gray Fire Rated WMOB w/ 1/2" Domestic Pex Valve	82599	FRM12DP	012181825999	5
Guy Gray Fire Rated WMOB w/ 1/2" Domestic Pex Valve/ Cont. Pk	82600	FRM12DPCP	012181826003	5