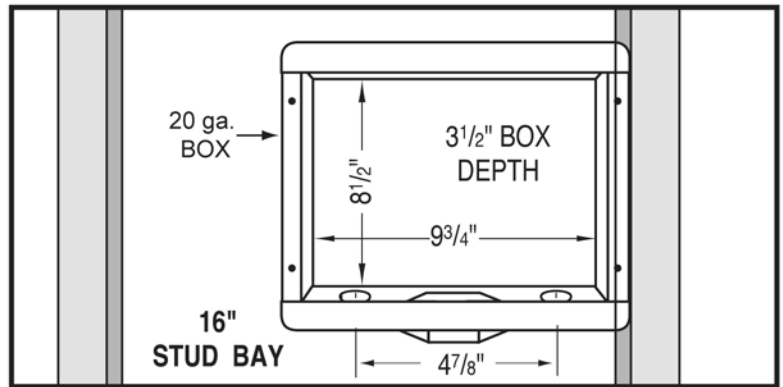
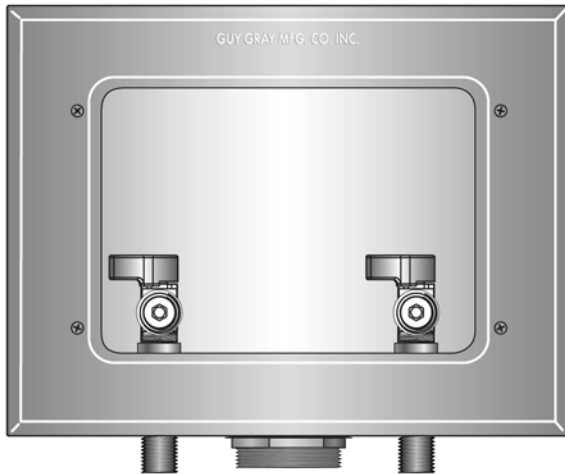


SPECIFICATION SUBMITTAL SHEET

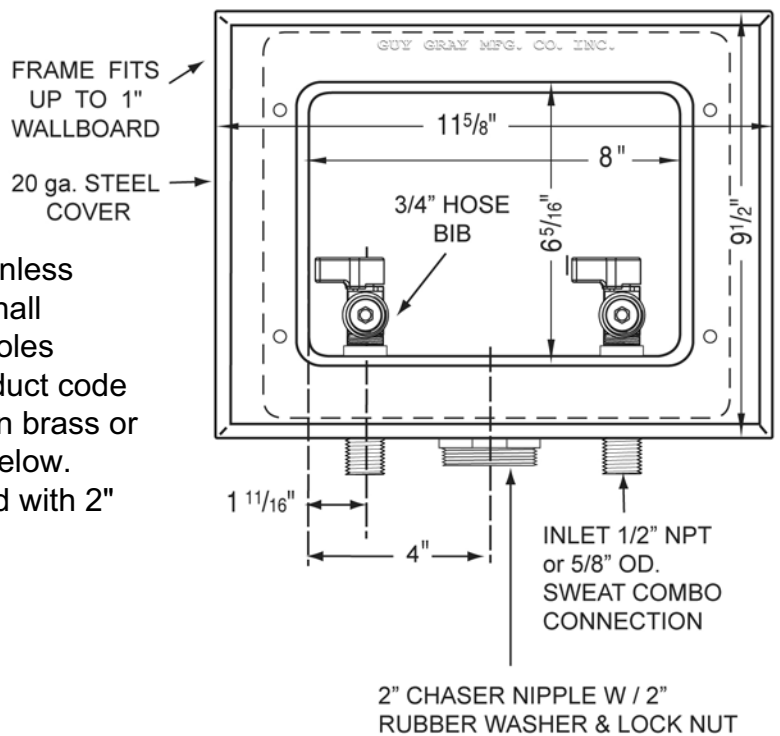


Stainless Steel Washing Machine Outlet Box



SPECIFICATIONS

Furnish and install recessed Guy Gray Stainless Steel Washing Machine Outlet Box. Box shall contain valves furnished loose with valve holes punched out in appropriate location as product code checked below. Valves may be quarter turn brass or domestic brass as product code checked below. Center Drain Outlet w/ 2" Slipnut to be used with 2" Pipe Nipple or male adapter.



PRODUCT #
82170
82171
82172
82174

MODEL #	1/4 Turn DESCRIPTION- 1/2" Sweat Conn.
SSWB1	1/2 Qtr. Turn Sweat Valve -2" Slipnut Drain Kit
SSWB2	1/2 Domestic Sweat Valve -2" Slipnut Drain Kit
SSWB1TM	1/2 Qtr. Turn Sweat Valve Top Mount -2" Slipnut Drain Kit
SSWDB1	2" Drain Opening - Valve holes are Covered - 2" Slipnut Drain Kit



www.ipscorp.com watertite@ipscorp.com

500 Distribution Parkway, Collierville, TN 38017, USA ■ TEL: 901-853-5001 ■ WATS: 800-888-8312 ■ FAX: 901-853-5008